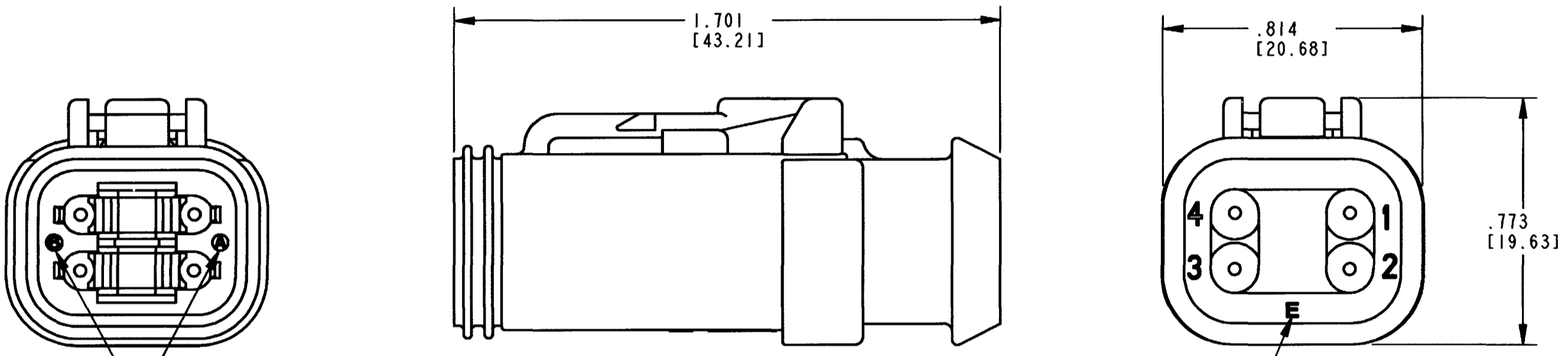


REV
A DT06-4S-CE04

REVISIONS			
SYM	DESCRIPTION	DATE	APPROVED
NC	NEW RELEASE PER E.O. P15029	3/29/96	R.D.R.
A	REVISED PER E.O. P19817	4-28-08	<i>RDR</i>



DATE CODE: YEAR TO BE REPRESENTED BY LAST NUMERICAL DIGIT. EX: 6 = 2006
MONTH USES SEQUENTIAL ALPHA CHARACTERS.
EX: A = JANUARY

-E- SYMBOL DESIGNATES REDUCED WIRE SEAL

CONTACT SIZE	MIN. INSUL. O.D.	MAX. INSUL. O.D.	WIRE RANGE [mm ²] REF ONLY ³
16	.053 [1.35]	.120 [3.05]	14-20 AWG [2.0-0.5]

- 5. MATERIAL - SHELL: PLASTIC; COLOR: GRAY
SEAL: RUBBER
- 4. THIS PLUG MATES WITH THE DT04-4P-**** RECEPTACLE.
(**** = ALL MODIFICATIONS) CONSULT FACTORY FOR MODIFICATIONS.
- ³ FOR CONTACTS AND WIRE PERFORMANCE AND CHARACTERISTICS, SEE ENVELOPE DRAWINGS 0425-015-0000 AND 0425-017-0000.
- 2. ALL DIMENSIONS ARE ±.025[.64] UNLESS OTHERWISE SPECIFIED.

NOTES: 1. ALL DIMENSIONS ARE IN INCHES [MILLIMETERS].

SIGNATURE & DATE		4 WAY PLUG REDUCED SEAL DT SERIES	EP	MATL. CODE
DR	<i>V. TOMSA MAR-18-96</i>		3850 INDUSTRIAL AVE. HEMET, CA 92545	
CHK	<i>R. Mensinger 4/25/08</i>		DEUTSCH INDUSTRIAL	
PE	<i>R. Mensinger 4/15/08</i>		B DT06-4S-CE04	
APPD	<i>Spindler 4/16/08</i>	ENVELOPE	DWG. SIZE	CODE 11139 SHEET OF
SCALE	NONE WT			